

APPENDIX A

BATTALION COMMAND ORGANIZATION

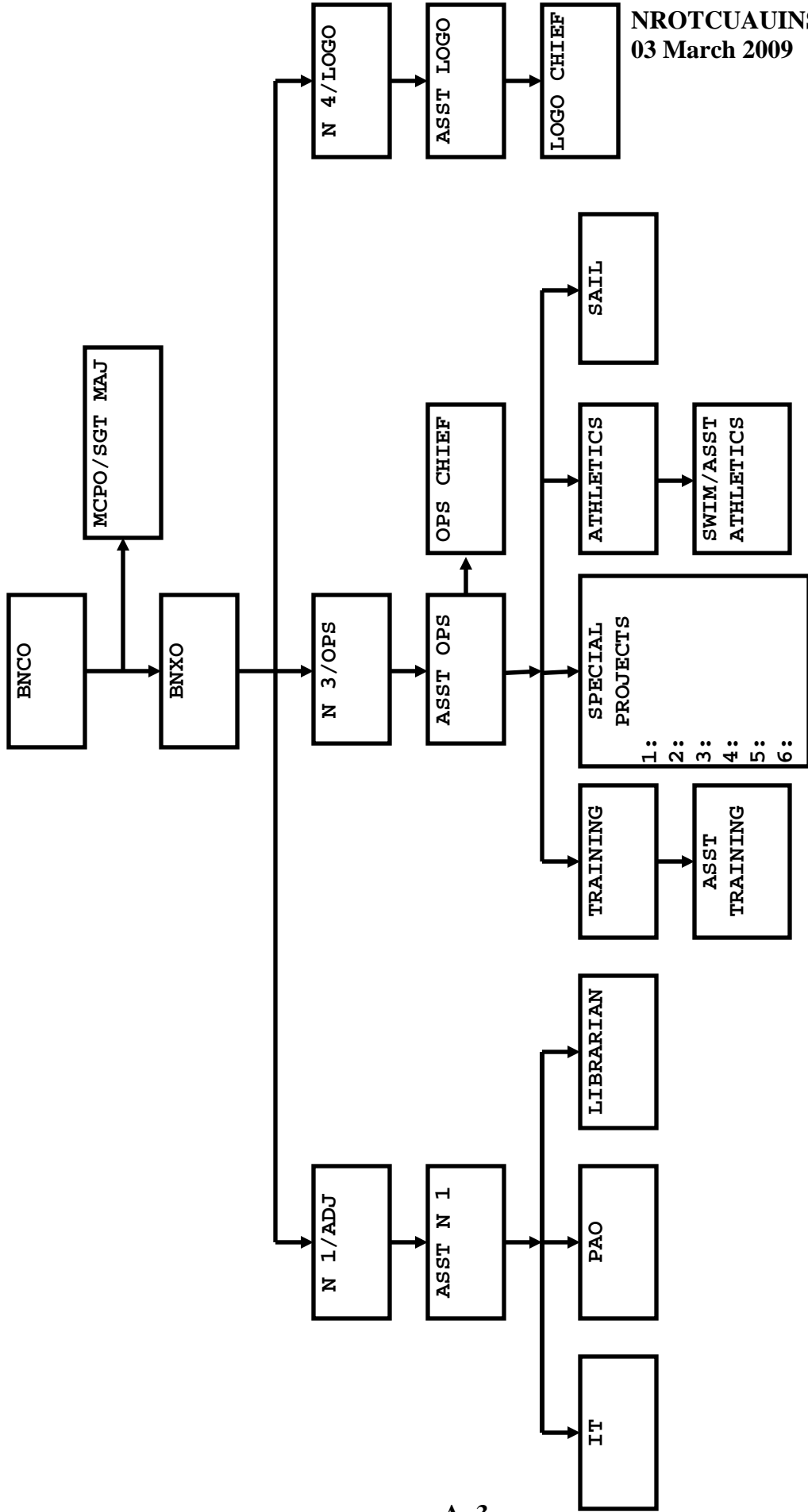
The BN Command Organization is comprised of three companies with a fourth company to account for drill conflicts as necessary. Each company is further organized into two platoons of three squads. This structure may be altered with the approval of the BN Advisor due to change in numbers. The following billet structure exists:

| <u>Billet</u> | <u>Rank</u> |
|--------------------------------------|-------------|
| Battalion Commander | CDR |
| Battalion Executive Officer | LCDR |
| Battalion Master Chief Petty Officer | MCPO |
| N-1, Adjutant | LT |
| Assistant N-1/Adjutant Officer | LTJG |
| Public Affairs Officer | LTJG |
| Information Technology Officer | LTJG |
| Librarian | ENS |
| N-3 Operations Officer | LCDR |
| Assistant Operations Officer | LTJG |
| Operations Chief Petty Officer | CPO |
| Training Officer | LT |
| Assistant Training Officer | LTJG |
| Athletics Officer | LTJG |
| Assistant Athletics/Swim Officer | LTJG |
| Sail Chief Petty Officer | CPO |
| N-4 Logistics Officer | LT |
| Assistant Logistics Officer | LTJG |
| Logistics Chief Petty Officer | CPO |

Company Structure

| <u>Billet</u> | <u>Rank</u> |
|-----------------------------|-------------|
| Company Commander | LT |
| Company Executive Officer | LTJG |
| Platoon Commander | ENS |
| Company Chief Petty Officer | SCPO |
| Mustering Petty Officer | CPO |
| Squad Leader | PO1 |

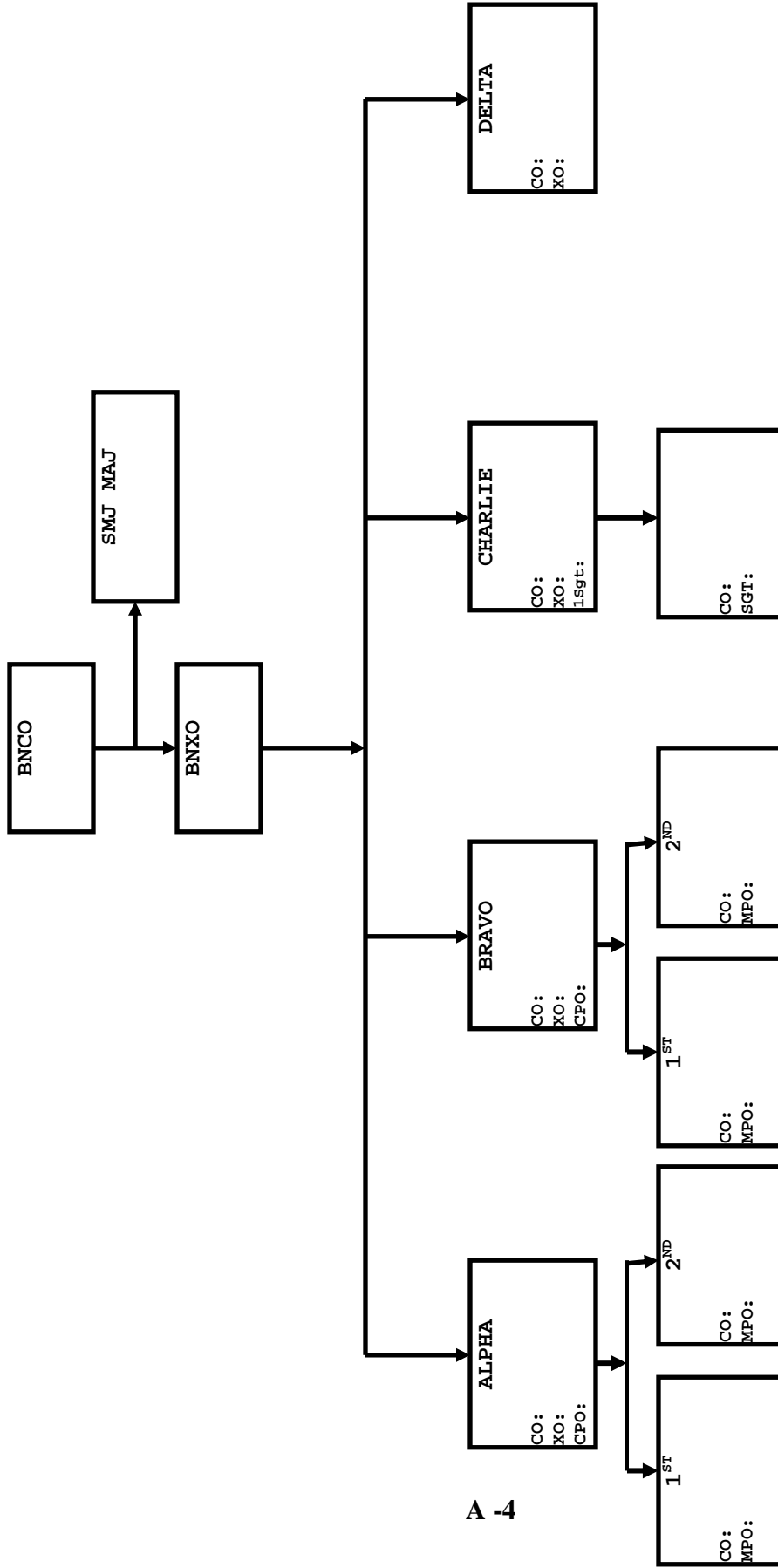
SPRING 20XX BATTALION STAFF COMMAND STRUCTURE



NROTCUAINST 1533.2L
03 March 2009

Approved: _____
D. W. EPPERSON
Captain, U.S. Navy
Commanding Officer AUNROTC

FALL 20XX COMPANY STAFF COMMAND STRUCTURE



A -4

NROTCUAINST 1533.2L
03 March 2009

Approved:

D. W. EPPERSON
Captain, U.S. Navy
Commanding Officer AUNROTC